

PARASOLEIL DATA SHEET

PFL Series Installation Hardware

Parasoleil's standard hardware combines beauty, utility, and durability to offer an elegant installation solution for a wide range of projects. It is an expressed element that standardizes the installation process, increases corrosion-resistance and enhances the overall aesthetic of the installation.

BENEFITS & FEATURES

- Universal design for attachment of aluminum panels up to 1/4" thick (US Patent Pending)
- Easy three-step installation
- Universal factory cut fastener holes ensure consistent fastening point and panel spacing
- Adjustable for inconsistent field conditions
- Minimizes moisture and debris collection between panel and support structure
- Attaches to steel or wood support structure
- Ideal for attaching to 1 narrow steel or wood support structures less than 2" width

SPECIFICATIONS

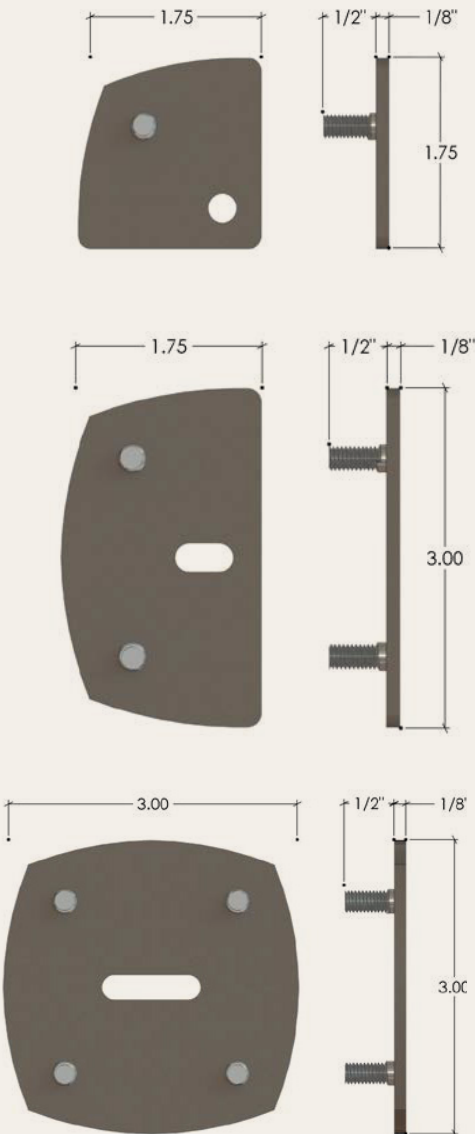
- 1/8" A36 steel plate
- Stainless steel flush mount 1/4" -20 x 1/2" long studs
- 70 in/lb max nut tightening torque
- Stainless steel locking flange hex nuts with EPDM washer
- Corrosion resistant center anchor with bonded neoprene washer

STRUCTURAL RECOMMENDATIONS

- 24" on center max. recommended bracket spacing along panel edges. Supplemental fasteners are required between hardware locations for high wind or snow load conditions
- Contact local building department for the most accurate snow and wind load information for your area

FINISHES

- Available in Graftone™, Nimbus™, and Raven™ as standard finishes, any other finishes are considered custom
- Zinc primer for maximum adhesion and corrosion resistance



Parasoleil

303.589.4524
hello@parasoleil.com
parasoleil.com

All Parasoleil patterns are protected under copyright © law. Copying, modifying, or any unauthorized use of these patterns is strictly prohibited.