

## PARASOLEIL DATA SHEET

# PFL Series Bracket Flush Mount Hardware

Parasoleil's standard hardware integrates engineered connections with an interchangeable design language and known manufacturing tolerances.

### BENEFITS & FEATURES

- Prescribed spacing of fastening points with built-in tolerances for complete system installation
- Single-point mounting hardware maintains consistent panel spacing
- Corrosion resistant aluminum and stainless steel components

### SPECIFICATIONS

- 3/16" thick 5052 aluminum alloy
- Stainless steel flush mount 1/4"-20 x 1/2" long studs
- 70 in/lb max nut tightening torque
- Stainless steel cap nuts with EPDM washer

### INSTALLATION RECOMMENDATIONS

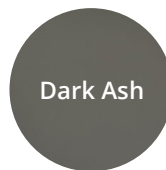
- 24" on center max. bracket spacing along panel edges
- Contact Parasoleil for additional guidelines for high loading conditions

### FINISHES

- Cast Iron, Dark Ash, and Graftone powder coat finishes
- See [parasoleil.com](http://parasoleil.com) for other standard options
- Custom finishes available for an additional charge



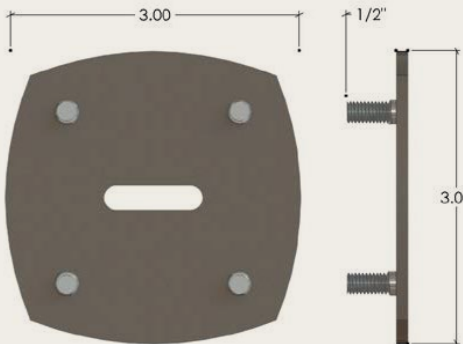
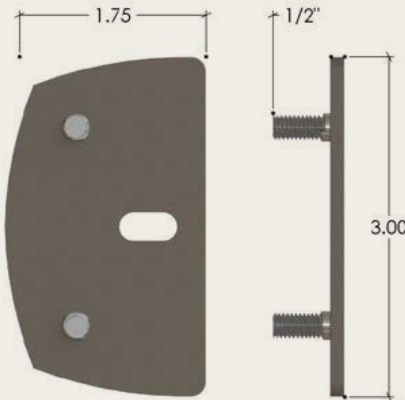
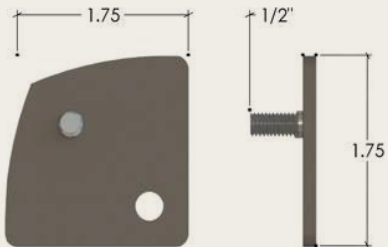
Cast Iron



Dark Ash



Graftone



# Parasoleil

303.589.4524  
hello@parasoleil.com  
[parasoleil.com](http://parasoleil.com)

All Parasoleil patterns are protected under copyright © law. Copying, modifying, or any unauthorized use of these patterns is strictly prohibited.