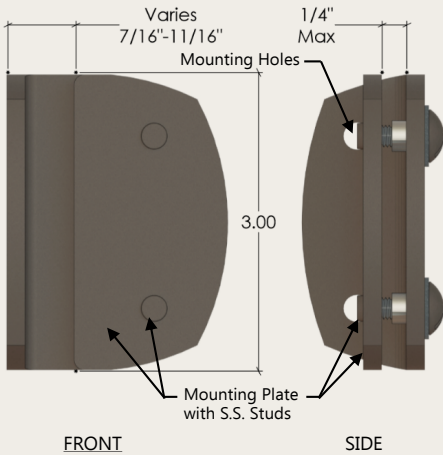
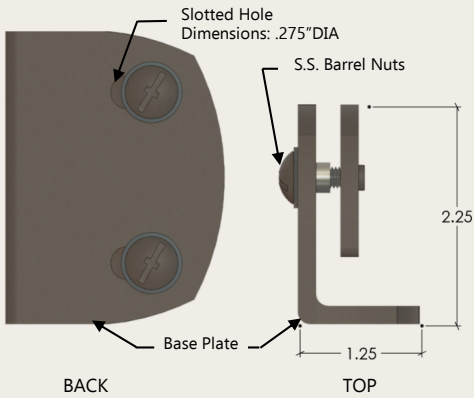
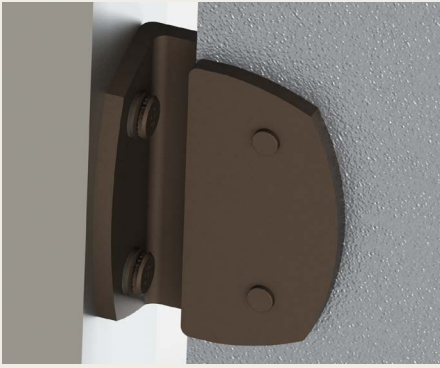


PARASOLEIL DATA SHEET

PBI Series Installation Hardware



Parasoleil

303.589.4524

hello@parasoleil.com

parasoleil.com

All Parasoleil patterns are protected under copyright © law. Copying, modifying, or any unauthorized use of these patterns is strictly prohibited.

Parasoleil's standard hardware combines beauty, utility, and durability to offer an elegant installation solution for a wide range of projects. It is an expressed element that standardizes the installation process, increases corrosion-resistance and enhances the overall aesthetic of the installation.

BENEFITS & FEATURES

- Universal design for attachment of aluminum panels up to 1/4" thick
- Universal factory cut fastener holes ensure consistent fastening point spacing and easy installation
- Adjustable for inconsistent field conditions
- Attaches to steel or wood with a minimum of 2" wide attachment surface

SPECIFICATIONS

- 3/16" A36 steel plate
- Stainless steel flush mount 1/2" -20 x 1/2" long studs
- Stainless steel barrel nuts with EPDM washers

STRUCTURAL RECOMMENDATIONS

- 24" on center max. recommended bracket spacing along panel edges
- Contact Parasoleil for installation guidelines
- Contact local building department for the most accurate building code requirements for railing and guardrails

FINISHES

- AAMA 2604 compliant powdercoat finish available in any Parasoleil Quality Standard color option
- Zinc Primer base coat for maximum adhesion and corrosion resistant



Buffalo Dime



Graftone

QUESTIONS?

Contact Parasoleil for complete specifications, installation requirements and warranty coverage.